

KONE revolving door 50

FOR SMOOTH AND CONVENIENT PEOPLE FLOW

A wide entrance solution that is perfect for busy environments, such as airports, medical facilities, large retail centers, and educational facilities, where smooth people flow and high throughput volume are key requirements.



KONE Revolving door 50 is a wide entrance solution that is perfect for busy environments in which high throughput is required.

Durable and hygienic

The glass and steel panels are resistant to wear and tear, vandal-proof, and easy to clean.

EN16005 compliant

The KONE revolving door 50 is fully compliant with the EN16005 regulations on the safety in use of power-operated pedestrian doors.

Throughput

Depending on the diameter and number of door leaves, throughput varies from 36 up to 45 people per minute in each direction.

KEY BENEFITS

- High throughput capacity ideal for busy environments
- Robust design in preventing dirt build-up and weather resistance
- Durable and hygienic materials ensure long service life and easy cleaning
- High performance with collapsible door leaves to smooth the goods transit flow as an option
- Manual night slide and motorized with multiple closing as options

KONE revolving door 50

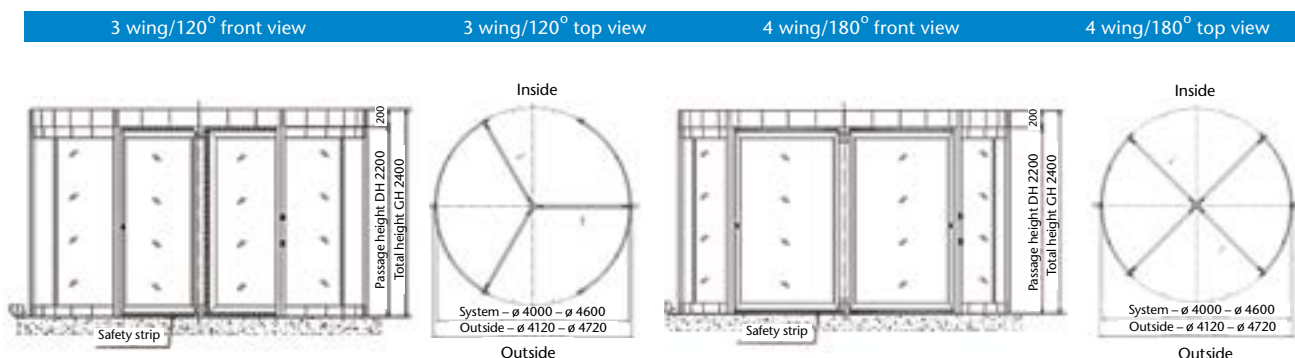
Selection matrix KONE revolving door 50				
120° (3 wings)			180° (4 wings)	
Capacity	Diameter (mm)	Troughput Persons/min/direction	Diameter (mm)	Troughput Persons/min/direction
3 adults for 180°/ 4 adults for 120°	4120	42 – 44	4120	36– 38
4 adults for 180°/ 5 adults for 120°	4720	43 – 45	4720	39– 41

Options	
Manual night slide	Yes
Motorized night slide with multiple closing	Yes
Door leaves/foldable	Yes
Air curtain integrated	x



Technical specifications*		
Construction	Outside diameter	4120 and 4720
	Inner diameter	4000 and 4600
	Total height	2400
	Passage height	2200
	Body top	200
	Number of leaves	3 or 4
	Rotary cycle	120° or 180°
Body	Side panels	8 mm laminated glass, or metal clad
	Thermal separation	Facade level
	Safety strips	Stop door movement on activation
	Top cover/ceiling	Raw aluminum plate, dustproof
	Maintenance access	2, in lower ceiling plate
Rotating unit	Framed in T56 aluminum profiles	
	Safety glass	6 mm toughened glass
	Sealing brushes	
	Bolt lock prepared for profile cylinder on-site	
Finish	Powder coated in a RAL color or silver anodized	
Operation	Fully automatic, sensor-operated drive unit with two push buttons for wheelchair access and two emergency stop buttons	
	Integrated control system	
Power (main) supply	230 V, 50 Hz	
Installation	On finished floor level	
Applications	Medical facilities, airports, educational facilities and commercial buildings	

* All dimensions in mm



KONE Corporation
www.kone.com

This publication is for general informational purposes only and we reserve the right at any time to alter the product design and specifications. No statement this publication contains shall be construed as a warranty or condition, express or implied, as to any product, its fitness for any particular purpose, merchantability, quality or representation of the terms of any purchase agreement. Minor differences between printed and actual colors may exist. KONE MonoSpace®, KONE EcoDisc®, KONE Care®, KONE Polaris™ and People Flow® are registered trademarks of KONE Corporation. Copyright © 2014 KONE Corporation.